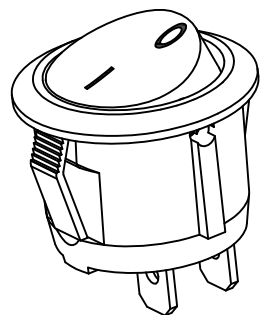
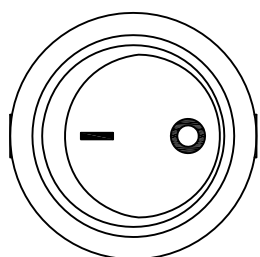




MR-5



Rating: 10A 125V AC,6A 250V AC (UL CUL)_C
6A 250V AC (VDE CQC CB)

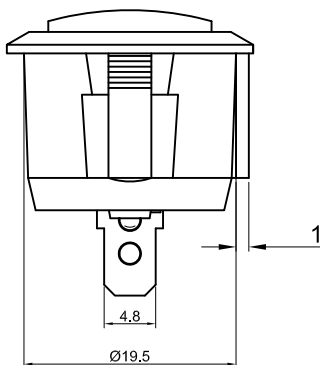
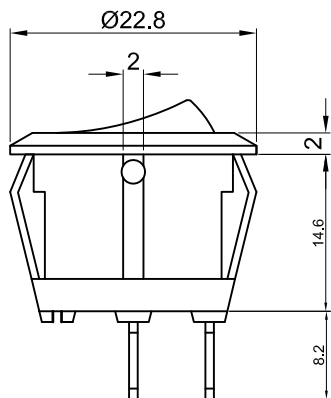
Contact Resistance: 50mΩ Max

Insulation Resistance: DC 500V 100MΩ Min

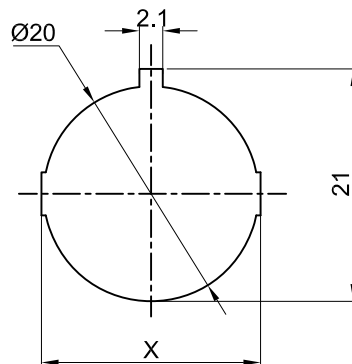
Dielectric Strength: AC1500V 1 minute

Electrical life: 10,000 cycles

Operating Temperature: 0°C~85°C



CUT-OUT



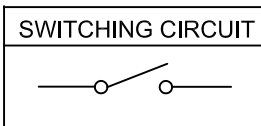
	X
0.75~1.25	20.2
1.25~2.00	20.4
2.00~3.00	20.6

MATERIAL:

Body:Nylon66,UL rated:94V-2 min

Actuator:Nylon66,UL rated:94V-2 min

Terminal:Brass,silver or tin plated



x	0	1	2	3	4	5	7	8
Marking	None							

		公差 TOLERANCES		.X± 0.3 .XX± 0.15		角度 ± 1°		单位 DIMENSION UNIT mm.	
		版本 VERSION	A0	比例尺 SCALE	NONE	日期 DATE	2020.07.15	品名 TITLE	图号 DRAWING NO
		核准 APPROVED BY		核对 CHECKED BY	Z. H. B.	绘图 DRAWN BY	黎夏	MR-5-110-C5N-AR	MR-5-110-C5N-AR_A0
版本 VER.	变更说明 CHANGE DESCRIPTION	日期 DATE	ECN NO.						