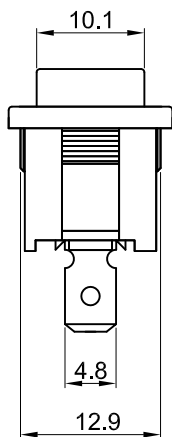
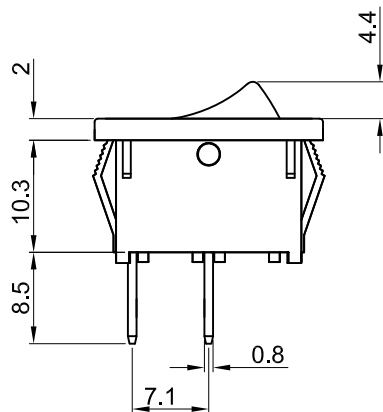
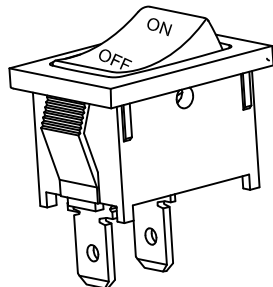
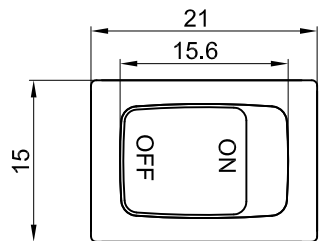




MR-1



Rating: 10A 125V AC (UL CUL) US

6A 250V AC (CQC ENEC VDE CB)

Contact Resistance: 50mΩ Max

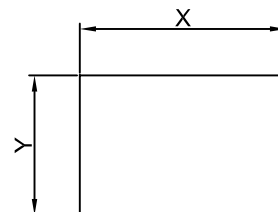
Insulation Resistance: DC 500V 100MΩ Min

Dielectric Strength: AC1500V 1 minute

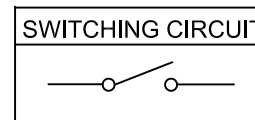
Electrical life: 10,000 cycles

Operating Temperature: 0°C ~85°C

CUT-OUT



	X	Y
	19.2-0.1	13.0+0.1
	19.4-0.1	13.0+0.1
	19.8-0.1	13.0+0.1



MATERIAL:

Body:Nylon66,UL rated:94V-2 min

Actuator:Nylon66,UL rated:94V-2 min

Terminal:Brass,silver or tin plated

0	1	2	3	4	5	7	8	9	A	B	C	D	E	G	H	J	L
None																	

				公差 TOLERANCES		.X± 0.3 .XX± 0.15		角度 ± 1°		单位 DIMENSION UNIT		mm.	
				版本 VERSION	A1	比例尺 SCALE	NONE	日期 DATE	2021.06.10	品名 TITLE		图号 DRAWING NO	
				核准		核对	Z. H. B.	绘图	HXG	MR-1-110-C2N-WW		MR-1-110-C2N-WW_A1	
版本 VER.	变更说明 CHANGE DESCRIPTION	日期 DATE	ECN NO.	APPROVED BY	CHECKED BY	DRAWN BY							