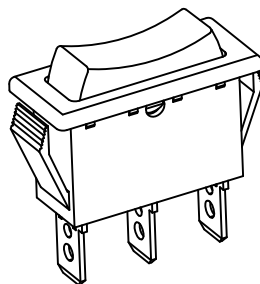
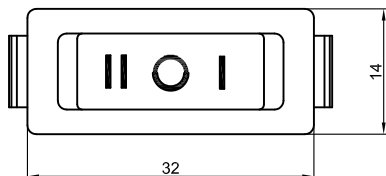
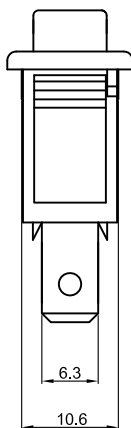
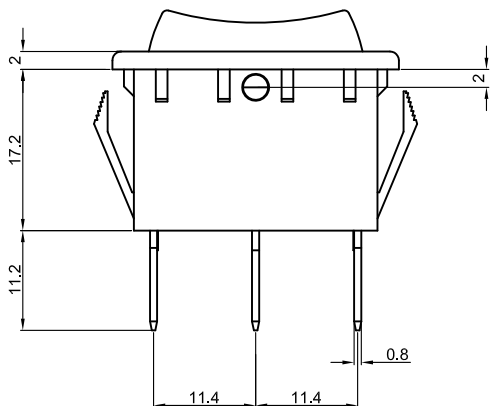




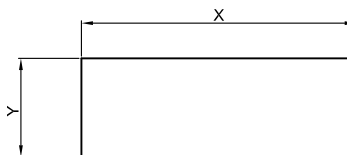
R-1



Rating: 16A 125V AC (UL CUL )  
 16A 250V AC (UL CUL VDE ENEC CB CQC)  
 Contact Resistance: 50m Ω (Max)  
 Insulation Resistance: DC 500V 100M Ω (Min)  
 Dielectric Strength: AC1500V 1 minute  
 Electrical life: 10,000 cycles  
 Operating Temperature: 0℃~85℃  
 Safety Approval:



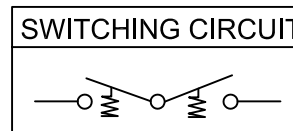
CUT-OUT



|           |          |          |
|-----------|----------|----------|
|           | X        | Y        |
| 0.75~1.25 | 30.4+0.2 | 11.0+0.1 |
| 1.25~2.00 | 30.6+0.2 | 11.0+0.1 |
| 2.00~3.00 | 30.8+0.2 | 11.0+0.1 |

MATERIAL:

Body:Nylon66,UL rated:94V-2 min  
 Actuator:Nylon66,UL rated:94V-2 min  
 Terminal:Brass with silver-plate



(ON)-OFF-(ON)

|         |                         |            |         |               |    |            |           |          |            |                   |                   |
|---------|-------------------------|------------|---------|---------------|----|------------|-----------|----------|------------|-------------------|-------------------|
|         |                         |            |         | 公差 TOLERANCES |    | .X± 0.3    | .XX± 0.15 | 角度 ANGLE | ± 1°       | 单位 DIMENSION UNIT | mm.               |
|         |                         |            |         | 版本 VERSION    | A1 | 比例尺 SCALE  | NONE      | 日期 DATE  | 2020.07.02 | 品名 TITLE          | 图号 DRAWING NO     |
| A1      | 重新整理发行                  | 2020.07.02 | N/A     | 核准            |    | 核对         | Z.H.B.    | 绘图       |            | R-1-160-C6N-BB    | R-1-160-C6N-BB-A1 |
| 版本 VER. | 变更说明 CHANGE DESCRIPTION | 日期 DATE    | ECN NO. | APPROVED BY   |    | CHECKED BY |           | DRAWN BY |            |                   |                   |