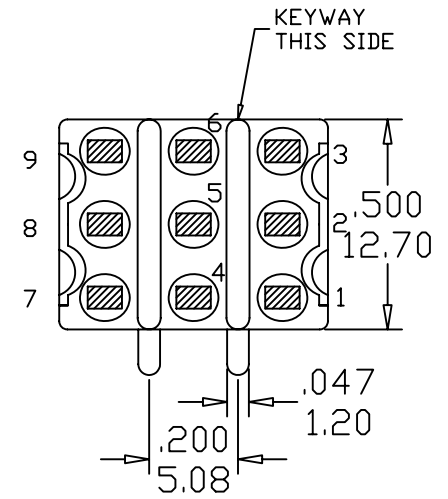
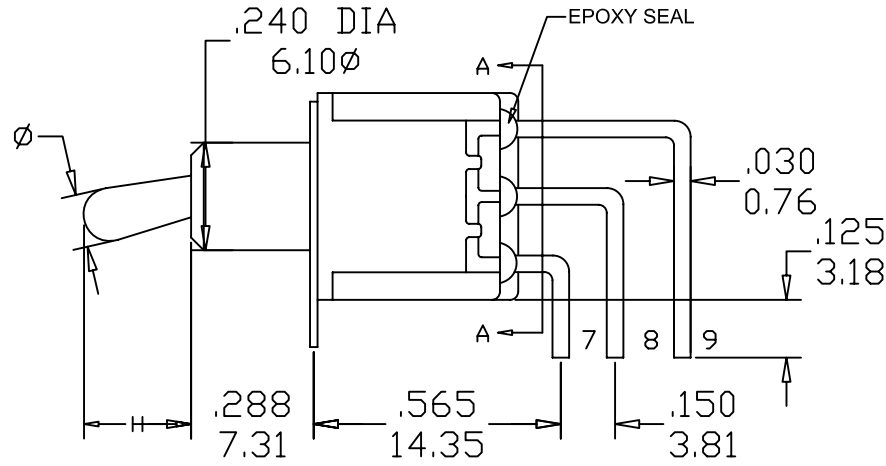
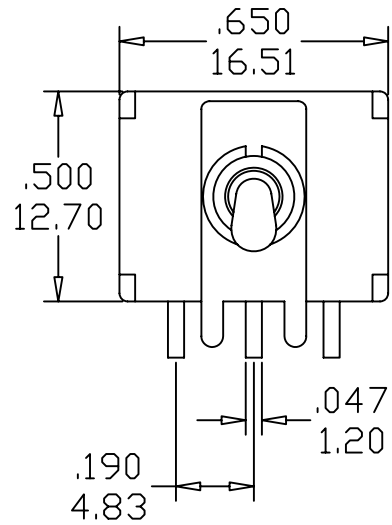


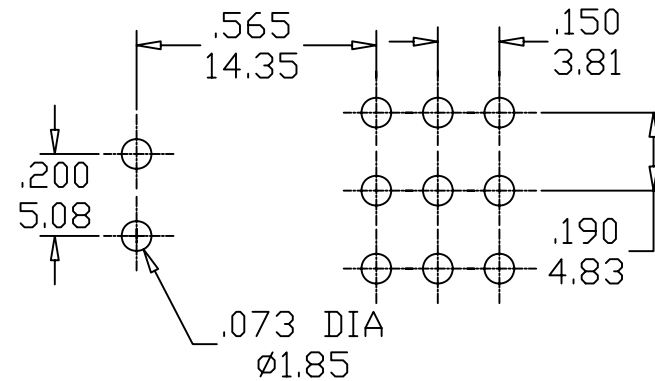
T8301P-TN



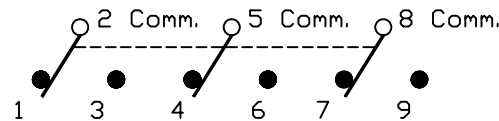
SECTION A-A

Actuator	H	φ
S	11.50	φ3.00
T	6.50	φ2.70

P.C.B MOUNTING



Schematic



Model No.	Switching Position		
8301P	ON	NONE	ON
8303P	ON	NONE	(ON)
8305P	ON	OFF	ON
8307P	(ON)	OFF	(ON)
8309P	ON	OFF	(ON)
Term. Comm.	2-3,5-6 8-9	OPEN	2-1,5-4 8-7

				Nominal Tolerance		Part no. T8301P-TN		Check	
				Range	Tolerance	Dwg no.		HONGJU ELECTRONIC CO., LTD.	
				0 ~ 1	±0.10	Part Name.		Scale 2:1	
1	A0	NEW		05.04.25	1 ~ 4	±0.20	T80-T/ 3PDT Miniature Toggle Switches		Date 05.04.25
NO.	Edition	Modified Contents	Name	Date	4 ~ 16	±0.30	Unit m/m (inch)		Rev. 0
								Rev. 0	Edition A0