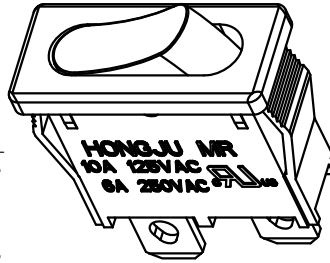
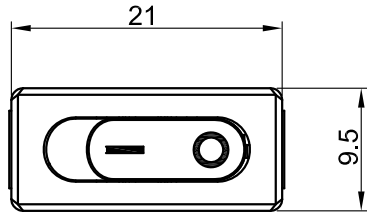


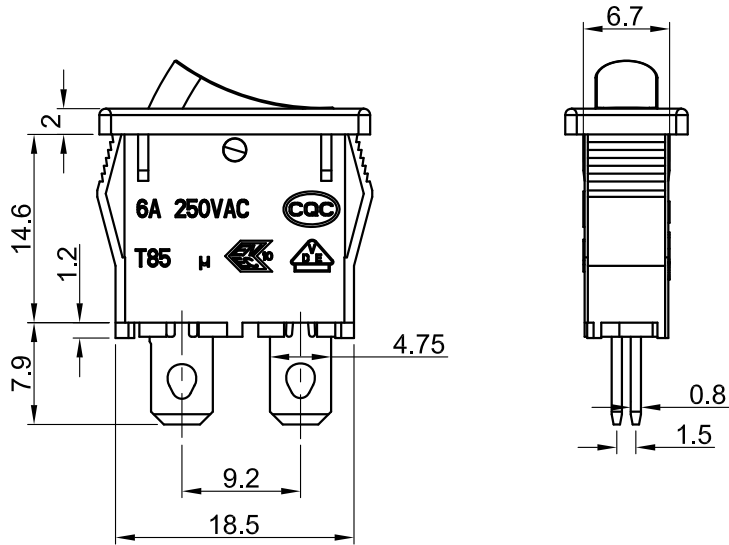


MR-2

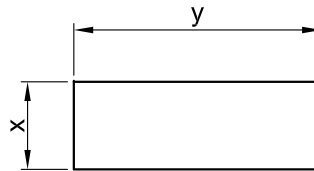


Rating: 10A 125V AC (UL CUL )   
6A 250V AC (UL CUL VDE CB)

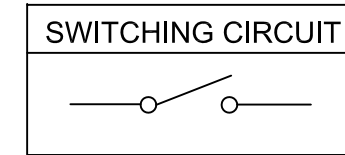
Contact Resistance: 50mΩ Max  
Insulation Resistance: DC 500V 100MΩ Min  
Dielectric Strength: AC1500V 1 minute  
Electrical life: 10,000 cycles  
Operating Temperature: 0°C ~ 85°C



CUT-OUT



	X	Y
0.75~1.25	6.8-0.1	19.2±0.1
1.25~2.00	6.8-0.1	19.2±0.1
2.00~3.00	6.8-0.1	19.2±0.1



MATERIAL:

Body:Nylon66,UL rated:94V-2 min  
Actuator:Nylon66,UL rated:94V-2 min  
Terminal:Brass,silver or tin plated

X	0	1	5	9	A	C
Marking	None					

				公差 TOLERANCES		.X± 0.3	.XX± 0.15	角度 ANGLE ± 1°		单位 DIMENSION UNIT mm.	
				版本 VERSION	A1	比例尺 SCALE	NONE	日期 DATE	2018.07.15	品名 TITLE	图号 DRAWING NO
A1	重新整理后发行		2014.07.15	N/A	核准	王龙	核对	Z. H. B.	绘图	巫舒淇	MR2-110-C5N-VWV
版本 VER.	变更说明 CHANGE DESCRIPTION		日期 DATE	ECN NO.	APPROVED BY	王龙	CHECKED BY	Z. H. B.	DRAWN BY	巫舒淇	MR2-110-C5N-VWV_A1